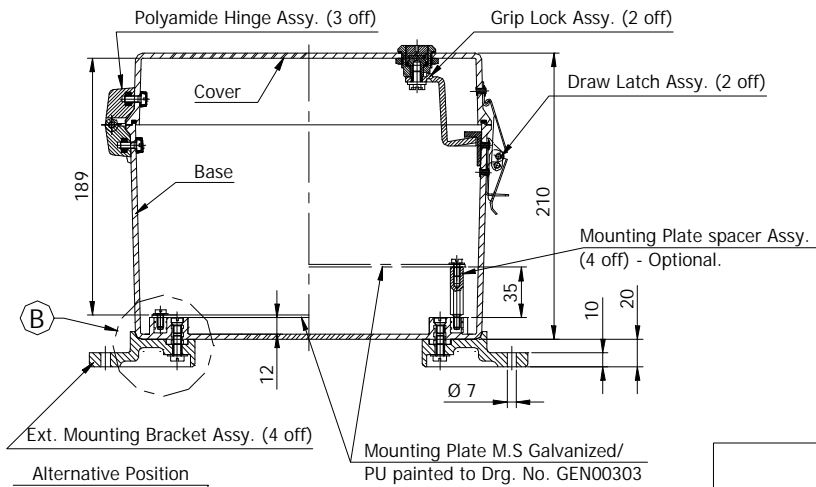
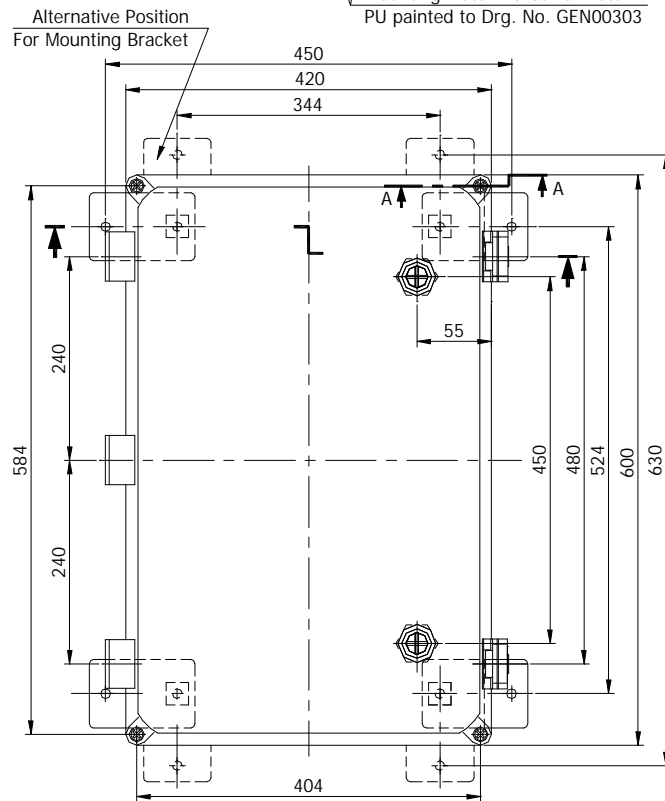


Enclosure Type : PG 600 420 210		Size : 600 X 420 X 210		Weight : 6950 g.	
COVER	GEC00500 / A - Standard Grey	BASE	GEC00600 / A - Standard Grey		
	GEC00600 / B - High visibility yellow				

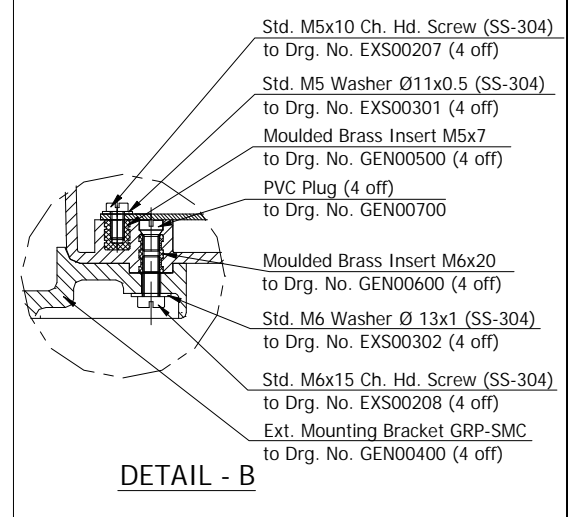
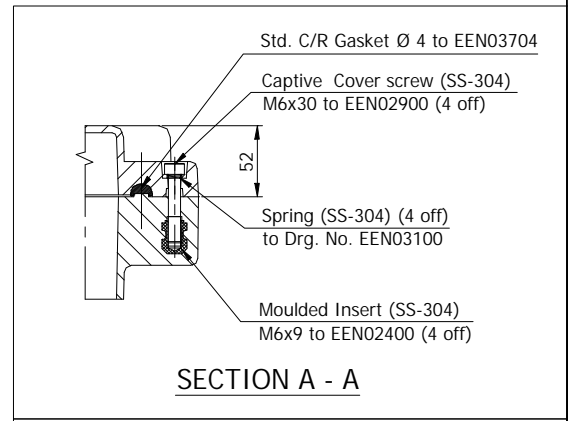


STD. ASSEMBLY PARTS	
DESCRIPTION	ORDER No.
S.S Cover Screw	EEN02900
Std. C/R Gasket	EEN03704
Alt. Silicon Gasket	EEN04804
Ext. Mounting Bracket Assy. Kit	GEA00100
Mounting Plate Assy. Kit	GEA00200

ACCESSORIES	
Mounting Plate Spacer Kit	GEA00300
Hinge Assy. Kit	GEA00402
Draw Latch Assy. Kit	GEA00500
Grip Lock Assy. Kit	GEA00600



Maximum effective Inner area = 560 x 380 x 175



- 1) Weight 6950g is only Base & Cover without Mounting plate and External Mounting Bracket.
- 2) For 70 mm Mounting Plate Spacer Assy. use 2 Kits - GEA00300.