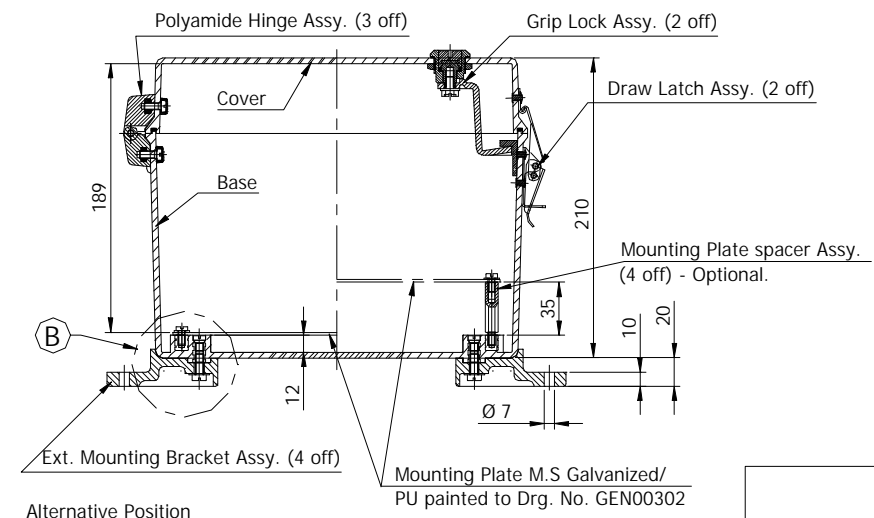
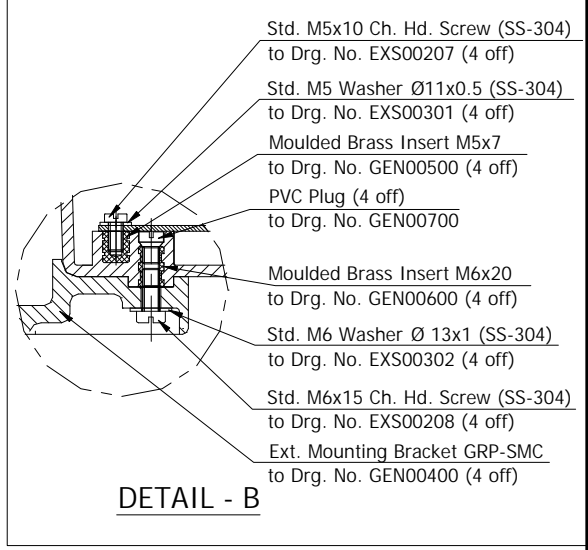
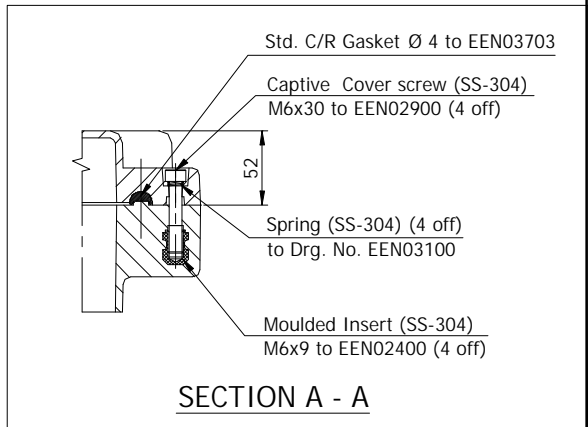
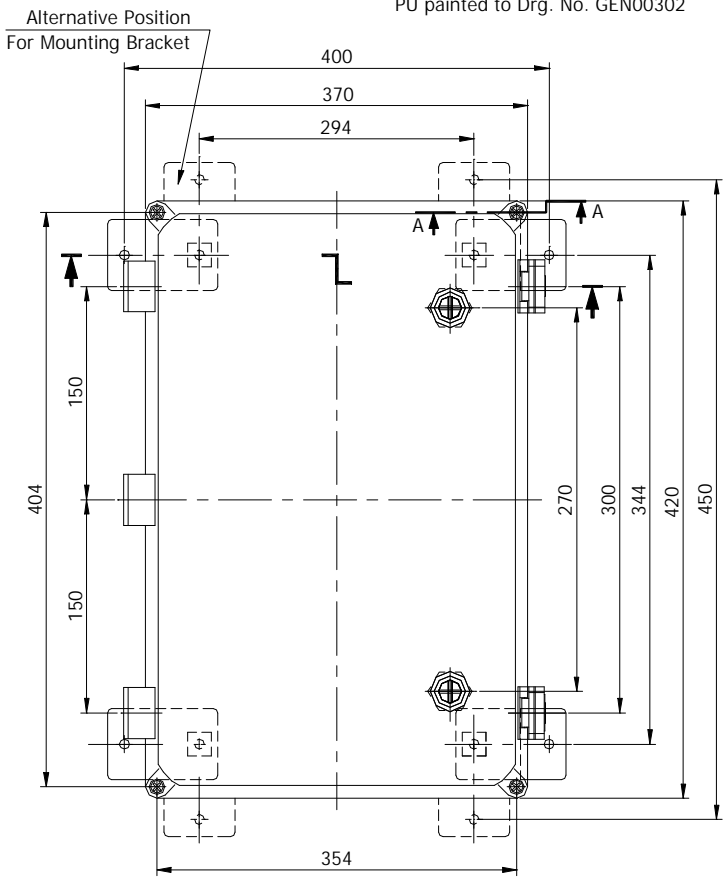


Enclosure Type : PG 420 370 210		Size : 420 X 370 X 210	Weight : 4300 g.
COVER	GEC00300 / A - Standard Grey		BASE
	GEC00300 / B - High visibility yellow		
		GEC00400 / A - Standard Grey	



STD. ASSEMBLY PARTS	
DESCRIPTION	ORDER No.
S.S Cover Screw	EEN02900
Std. C/R Gasket	EEN03703
Alt. Silicon Gasket	EEN04803
Ext. Mounting Bracket Assy. Kit	GEA00100
Mounting Plate Assy. Kit	GEA00200

ACCESSORIES	
Mounting Plate Spacer Kit	GEA00300
Hinge Assy. Kit	GEA00402
Draw Latch Assy. Kit	GEA00500
Grip Lock Assy. Kit	GEA00600



Maximum effective Inner area = 380 x 330 x 175

- 1) Weight 4300g is only Base & Cover without Mounting plate and External Mounting Bracket.
- 2) For 70 mm Mounting Plate Spacer Assy. use 2 Kits - GEA00300.