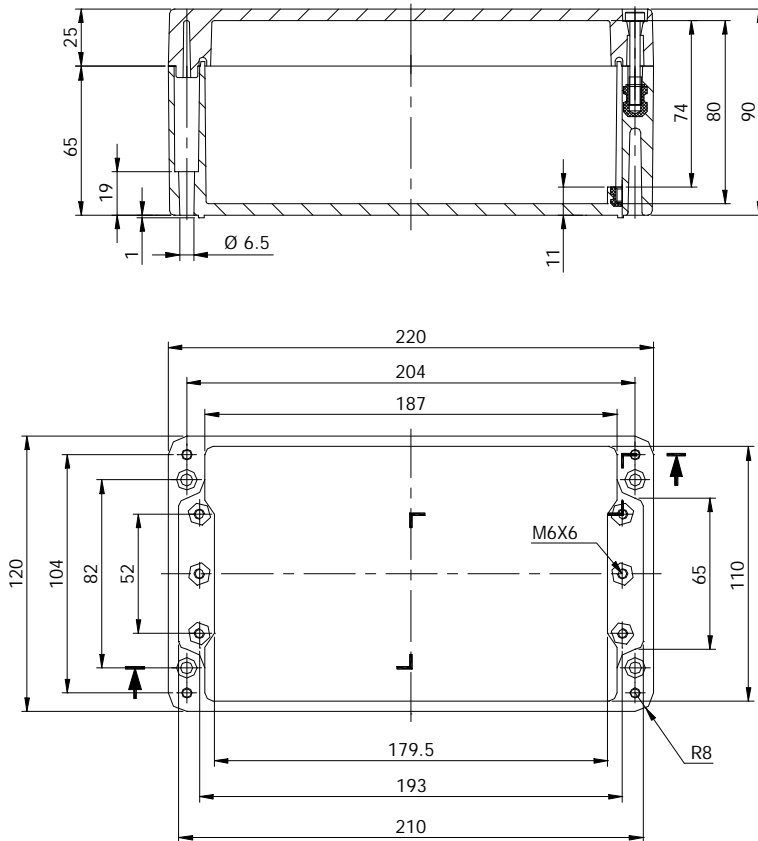


Enclosure Type : PG 120 220 090		Size : 120 X 220 X 90		Weight : 1060 g.	
COVER	EEC02800 / A - Standard Grey		BASE	EEC01200 / A - Standard Grey	
	EEC02800 / B - High visibility yellow				



CABLE GLANDS		
Max. No. of cable glands		
AL		
PG	AL / BL	CW / DW
7	--	--
9	17	6
11	14	3
13.5	11	3
16	8	2
21	5	1
29	4	1
36	3	1
42	--	--
48	--	--

STD. ASSEMBLY PARTS	
DESCRIPTION	ORDER No.
S.S Cover Screw	EEN02800
Std. C/R Gasket	EEN03702
Alt. Silicon Gasket	EEN04802

ACCESSORIES	
TERMINAL RAIL	
TS 32	EEN00302
TS 35	EEN00202
MOUNTING PLATE - (M.P)	
M.P 1.5mm thick	EEN01400
M.P Screw Kit	EEA03300
M.P Spacer Kit	EEA03400

MOUNTING BRACKET KIT	
Polyamide	EEA00400
Stainless steel	EEA03200

HINGE ASSEMBLY KIT	
Polyamide	EEA00700
Stainless Steel	EEA03500

ASSEMBLY WITH TERMINALS																	
Length of DIN Rail 208mm					Maximum Rail capacity 192mm												
Terminal Blocks	WEIDMULLER										PHOENIX						
	SAK 2.5	SAK 4	SAK 6 N	SAK 16	SAK 35	WDU 2.5	WDU 4	WDU 6	WDU 10	WDU 16	WDU 35	UK 2.5 B	UK 5 N	UK 6 N	UK 10 N	UIK 16	UIK 35
Technical Information																	
Single Wire cross section (mm ²)	2.5	4	6	16	35	2.5	4	6	10	16	35	4	6	10	16	25	35
Fine Wire cross section (mm ²)	2.5	4	6	16	35	2.5	4	6	10	16	35	2.5	4	6	10	16	35
Nominal Volts (V)	550	418	418	726	726	660	660	660	660	660	660	690	800	800	800	400	800
Load (Amps.)	15	21	26	47	75	26	35	46	63	85	138	32	41	57	76	101	125
Width of Terminals (mm)	6	6.5	8	12	16	5	6	8	10	12	16	6.2	6.2	8.2	10.2	12.2	15.2
Max. no of Terminals in Rail - TS 32	30	28	22	14	10	--	--	--	--	--	--	28	28	22	16	14	10
Max. no of Terminals in Rail - TS 35	--	--	--	--	--	36	30	22	18	14	10						
Max. no of Terminal rails possible	1	1	1	1	1	1	1	1	1	1	1	1	1	1	1	1	1