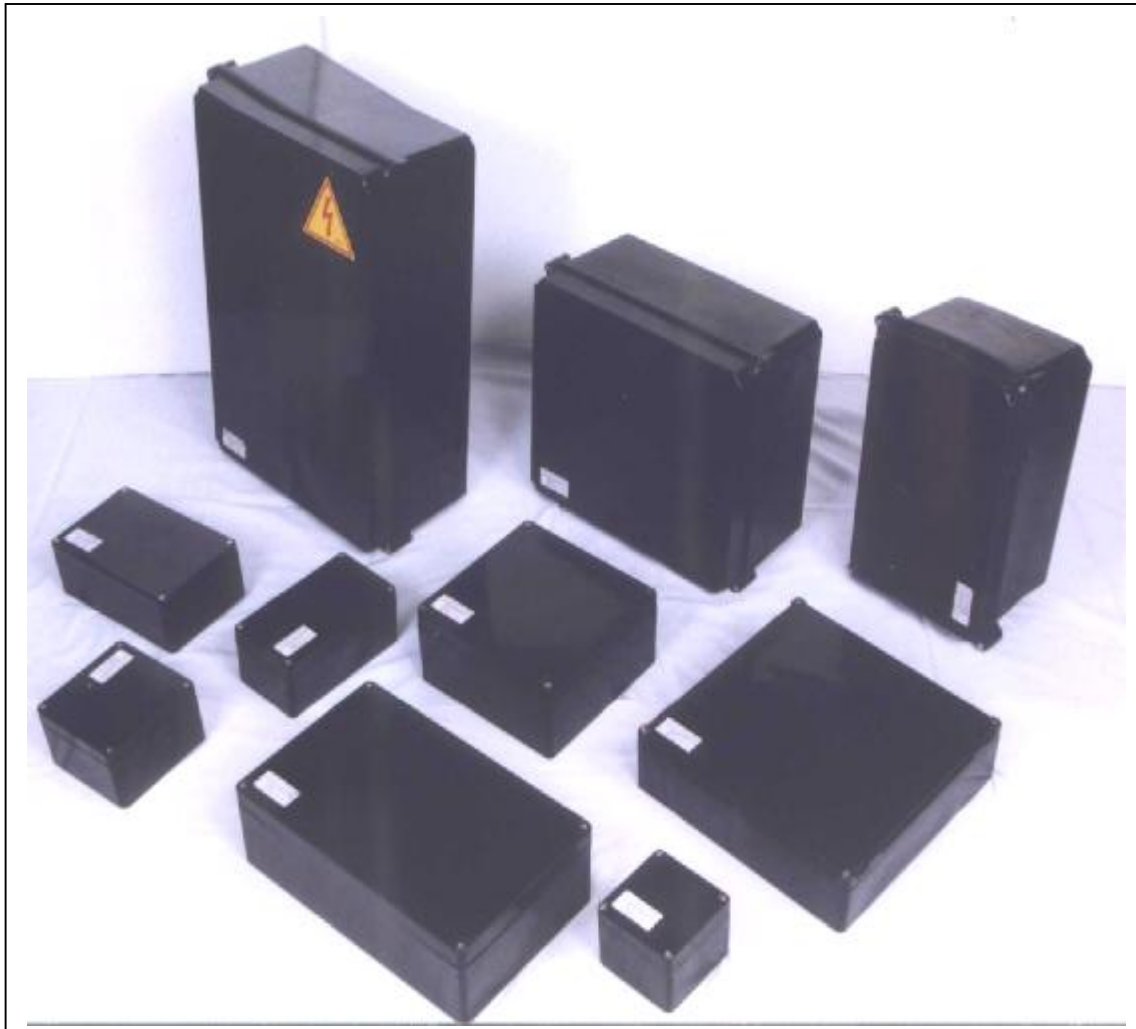


DURO-BOX POLYESTER Ex-ENCLOSURES

Technical Information



DEVI POLYMERS PRIVATE LIMITED

An ISO 9001 Company

Introduction

DURO-BOX Ex-Enclosures

Company presentation

Devi Polymers introducing a new range **DURO-BOX Polyester Ex-Enclosures** specifically for use in hazardous areas.

These enclosures conform to international standards, specifying a high level of reliability and outstanding resistance to aggressive environments, with wide selection of high quality accessories.

Devi Polymers have experience of over 30 years in design, quality control and manufacture of BMC / SMC products and are readily available for technical consultation on the **DURO-BOX** range of polyester Ex enclosures.

Devi Polymers is ISO 9000 certified company.



Product Presentation

DURO-BOX Polyester Ex Enclosures are " Hot press " moulded from Glass fibre Reinforced Polyester "Sheet Moulding Compound" (SMC) with graphite added.

The standard colour is " BLACK "
Conforming to RAL 9011.

Product Application for Hazardous areas



DURO-BOX Ex Enclosures are designed for:

- Petroleum industries
- Chemical industries.
- Mines
- Outdoor installations especially in aggressive environments.

Contents

DURO-BOX Enclosures

	Page
How to choose an Ex - Enclosure	2
Explosion Protection of Ex - Enclosures	2
Technical Data	4
Manufacturing range	5
Assembly with Terminals	6
Construction diagram	7
Accessories and Service	8
Terminal rail Dimensions	9
Mounting plate Dimensions	10
Accessories / Hinge assembly details	11
Accessories / Mounting Details	12
Dimension details of various Ex-Enclosures	13 - 23

1. How to choose an Ex Enclosure

Ex-Enclosures to be constructed for use in potentially explosion hazard atmospheres to ensure that, such apparatus will not cause an explosion of the surrounding atmosphere.

These risks can be of various kinds and are of decisive importance in the choice of an enclosure.

The main criterion for judging whether the enclosure meets the protection requirement is a clear definition of the risks to be expected in the environment where the enclosure is to be used.

These are the main conditions to be considered: -

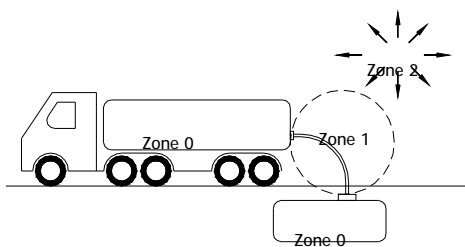
- § Protection of enclosure in relation to the area classification
- § Temperature of the enclosure in relation to the ignition temperature of the gases and vapours involved
- § The enclosure gas group in relation to the relevant properties of the gases and vapours prevalent
- § Temperature resistance
- § Prevent ignition of the ambient

2. Explosion protection of Ex-Enclosures

DURO-BOX Ex-Enclosures are classified under the generally applicable guidelines of EN 50 014 / EN 50 019: 1994. Explosion hazard areas are classified in to zones, depending on the likelihood of dangerous, potentially explosive atmospheres occurring, which serve as the basis for evaluating the scope of requirements.

I. Explosion hazards due to combustible gases, vapours and mists:

Example of zone classification



Zone 0: This comprises areas in which potentially explosive atmospheres are continuously present or present for long periods. Special approval is required for this zone.

Zone 1: Comprises areas in which a dangerous, potentially atmosphere is likely to occur occasionally.

Zone 2: Comprises areas in which a dangerous, potentially explosive atmosphere is likely to occur only rarely, and then only for short periods.

The supervisory authority or an authorised expert on explosion hazards generally conducts such classification on explosion hazard areas into zones.

DURO-BOX Ex-Enclosures are suitable for Zone 1 and 2

II. Group classification

- Group I : Electrical equipment for underground mining areas, which are subject to firedamp.
 - Group II : Electrical equipment for all explosion hazard areas other than mines at risk of firedamp.
 - Group IIA : Enclosures for intrinsically safe in gas. (E.g. Propane)
 - Group IIB : Enclosures for intrinsically safe in gas. (E.g. Ethylene)
 - Group IIC : Enclosures for intrinsically safe in gas. (E.g. Acetylene)
- Protection category "i" falls under the group classification IIA, IIB and IIC.

DURO-BOX Ex-Enclosures are suitable for Group II

III. Protection categories

The protection category specifies the measures, which must be taken by the manufacturer of electrical equipment in order to prevent ignition of the ambient, potentially explosive atmosphere.

Flame proof	d	Encapsulation	m	Pressurization	p
Increased safety	e	Non-Sparking	n	Sand or powder filled	q
Intrinsically safe	i	Oil immersion	o	Special protection	s

DURO-BOX Ex-Enclosures are suitable for protection category 'e'

General Technical Information

DURO-BOX Ex-Enclosures

IV. Temperature categories

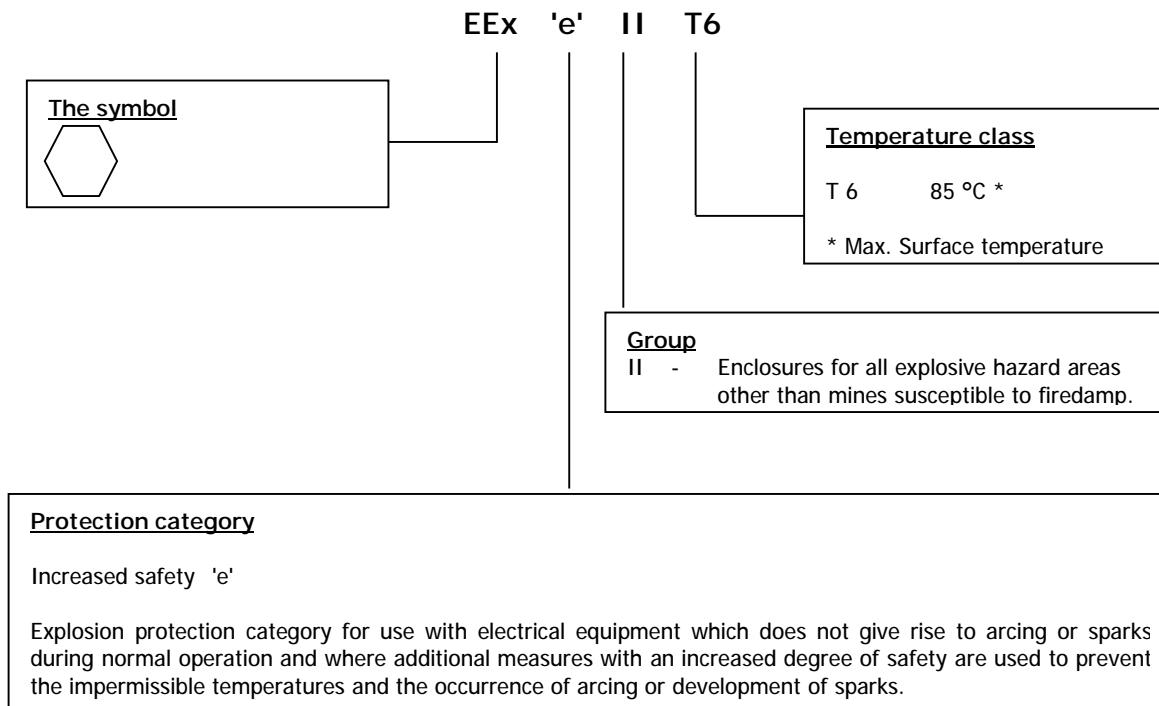
Combustible substances and vapours or gases (explosive mixtures) may ignite on hot surfaces. The ignition temperatures of these substances can be ascertained using suitable test equipment (DIN 51 794). The surface states of electrical equipment are divided into 6 temperature categories.

Temperature Category	Maximum permissible surface temperature of equipment
T 1	450 °C
T 2	300 °C
T 3	200 °C
T 4	135 °C
T 5	100 °C
T 6	85 °C

DURO-BOX Ex-Enclosures are suitable for temperature category T 6

Explosion protection of DURO-BOX Ex-Enclosures

Codification for DURO-BOX EX-Enclosures



DURO-BOX Ex-Enclosures are awaiting for certification of EEx 'e' II T6

DURO-BOX Polyester Ex-Enclosures

Description

Body:

Made out of Glass fibre reinforced polyester (SMC) with graphite added. Cover and base are fastened by captive stainless steel screws.

Seal:

Tongue and groove system with silicone seal is used as standard.

Internal mounting & hinged version:

Electro galvanised mounting plate and DIN rails and stainless steel hinges are available as accessories.

Mounting of Enclosure:

Screw channels outside the sealing lip for direct mounting and Stainless steel external mounting bracket are available as accessories.

Assembly:

With EEx 'e' II T6 certified terminal blocks and cable glands are available as accessories.

Service:

Machining of Enclosures as per customer requirement can be done at extra cost.

Technical Data

Material	:	Glass fibre Reinforced Polyester (SMC) with graphite added
Protection Classification	:	IP 66 (EN 60 529)
Impact resistance	:	> 5 Nm (EN 50 014)
Flammability	:	V O / Self - extinguishing (UL 94 V-0)
Seal	:	- 60 °C to +170 °C, Silicone rubber seal, Solid foam, Round section.
Water absorption	:	Max. 0.7 % (ASTM D 570)
Toxicity	:	Halogen - free.
Surface resistance	:	5 to log ₁₀ ohm (DIN 53 482)
Colour	:	Black (RAL 9011)

I. STANDARD Ex-Enclosures - International Range

S. No.	Type of Enclosure	Size W X L X H (mm)
1.	PGE 120 122 090	120 X 122 X 90
2.	PGE 120 220 090	120 X 220 X 90
3.	PGE 160 160 090	160 X 160 X 90
4.	PGE 160 260 090	160 X 260 X 90
5.	PGE 250 255 120	250 X 255 X 120
6.	PGE 250 400 120	250 X 400 X 120
7.	PGE 360 360 090	360 X 360 X 90
8.	PGE 405 400 120	405 X 400 X 120

II. SPECIAL Ex-Enclosures - Multipurpose Range

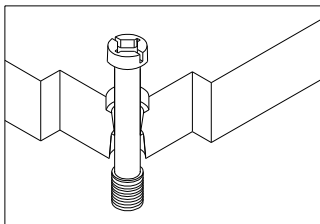
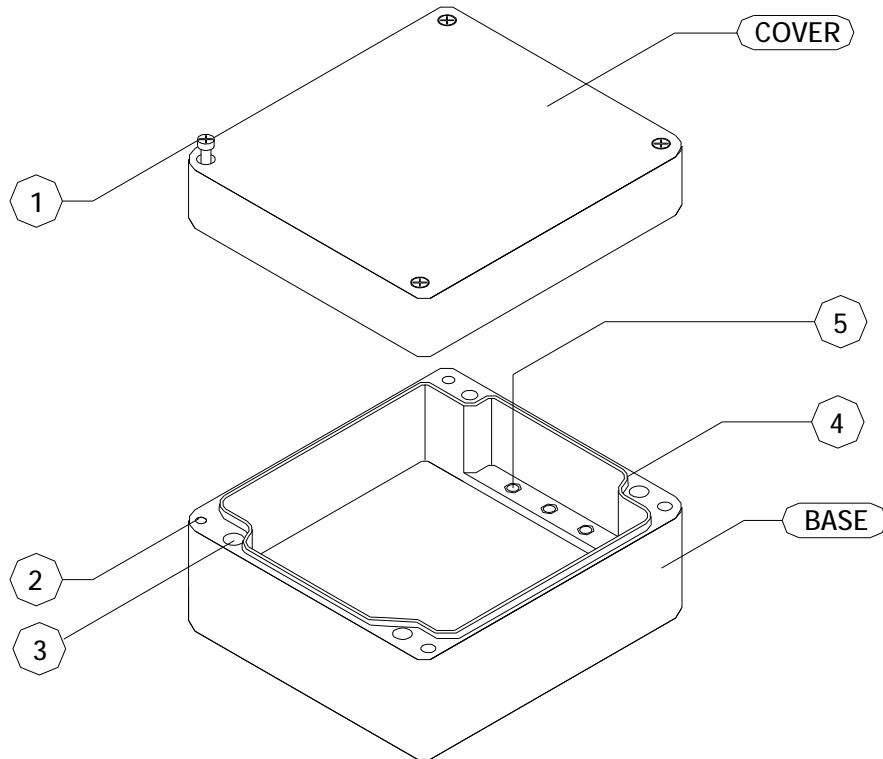
S. No.	Type of Enclosure	Size W X L X H (mm)
9.	PGE 420 270 180	420 X 270 X 180
10.	PGE 420 370 210	420 X 370 X 210
11.	PGE 600 420 210	600 X 420 X 210

All the above Ex-Enclosures are available ex-stock

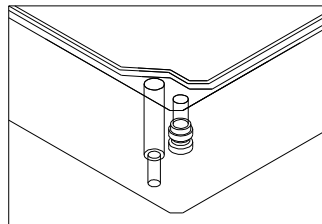
Enclosures

Standard International Range

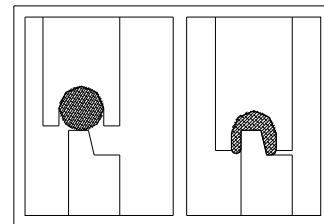
<i>Weidmüller</i>	AKZ 1.5	AKZ 4	SAK 2.5	SAK 4	SAK 6 N	SAK 16	SAK 35	WDU 2.5	WDU 4	WDU 6	WDU 10	WDU 16	WDU 35
Terminal rail TS 32			X	X	X	X	X						
Terminal rail TS 35								X	X	X	X	X	X
Bridgeable	X	X	X	X	X	X	X	X	X	X	X	X	X
Connection cross-section (mm) Fine wire	1.5	4	2.5	4	6	16	35	4	6	10	16	16	35
Connection cross-section (mm) Single wire	1.5	4	4	6	10	16	16	4	6	10	16	16	16
Nominal voltage (V)	250	380	750	750	750	750	750	750	750	750	750	750	750
Load (A)	18	34	26	34	44	82	135	26	34	44	61	82	135
Width of terminals (mm)	5	6	6	6.5	8	12	18	5	6	8	10	12	16
Type of enclosure	Number per rail												
PGE 120 122 090			12	11	9	6	4	14	12	9	7	6	4
PGE 120 220 090			28	26	21	14	9	34	28	21	17	14	10
PGE 160 160 090			18	16	13	9	6	21	18	13	10	9	6
PGE 160 260 090			34	32	26	17	11	41	34	26	20	17	12
PGE 160 360 090			51	47	38	25	17	61	51	38	30	25	18
PGE 160 560 090			85	78	63	42	28	102	85	63	51	42	31
PGE 250 255 120 *			33	31	25	16	11	40	33	25	20	16	12
PGE 250 255 160 *			33	31	25	16	11	40	33	25	20	16	12
PGE 250 400 120 *			58	53	43	29	19	70	58	43	35	29	21
PGE 250 400 160 *			58	53	43	29	19	70	58	43	35	29	21
PGE 250 600 120 *			91	84	68	45	30	109	91	68	54	45	33
PGE 360 360 090 **			51	47	38	25	17	61	51	38	30	25	18
PGE 405 400 120 **			58	53	43	29	19	70	58	43	35	29	21
* When using terminal blocks of up to 16 mm, maximum of 2 terminal rails possible (double number)													
** When using terminal blocks of up to 10 mm, maximum of 3 terminal rails possible (triple number)													



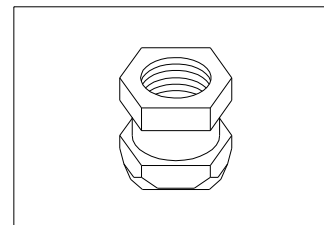
1. Captive stainless steel screws for fixing cover to base
4 off per set.



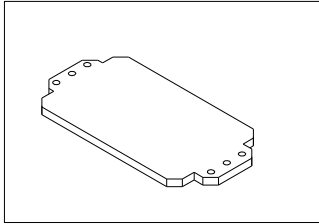
2. Moulded S.S. inserts to receive stainless steel captive cover fixing screws
3. Wall mounting details provided outside the sealing Lip.



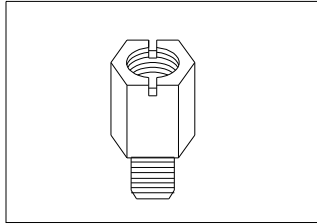
4. Base and cover sealed using the tongue and groove system.



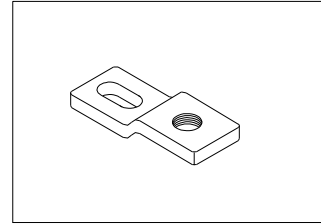
5. Moulded inserts to receive mounting plate / DIN Rails / Earthing strip.



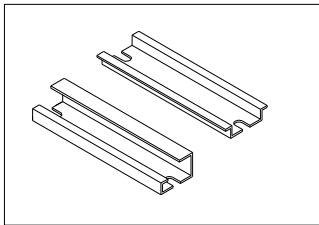
1. Electro galvanised Mounting plate sheet steel.



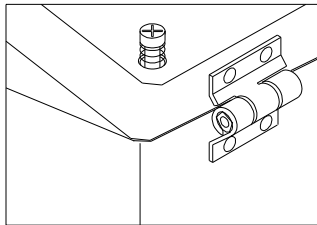
2. Mounting Plate Spacers (4) in Brass with SS washers to raise the mounting Plate by 12 mm.



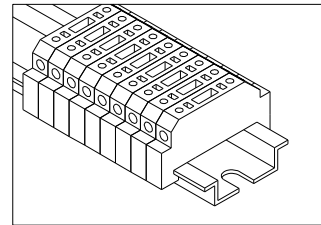
3. Stainless steel External mounting brackets (4) in SS-304.



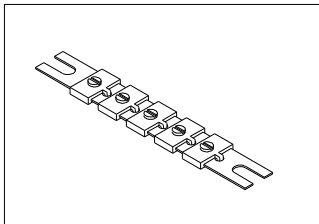
4. Electro galvanised sheet steel DIN rails for fixing terminal blocks. (TS32/TS35)



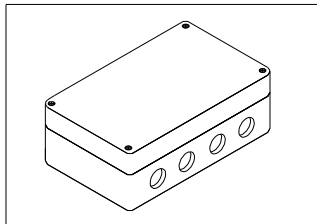
5. External hinge (pair) in SS-304 opening to appr. 200°.



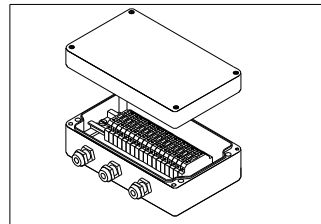
6. Terminal blocks provided as per customer requirements.



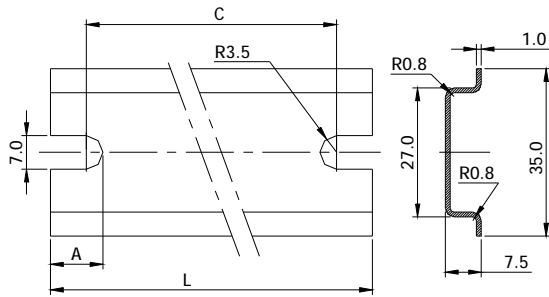
7. Earthing strip.



8. Special machining service as per customer requirement.

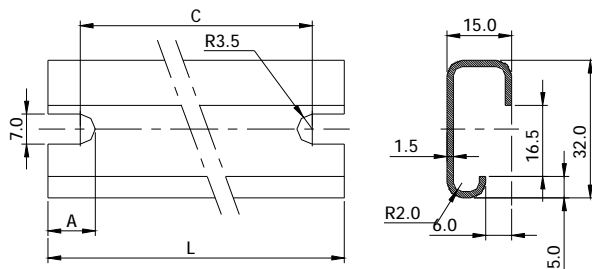


9. Enclosures fitted with terminal blocks and cable glands as per customer requirements.



TYPE : DIN EN 50022 - TS 35 x 7.5
 MATERIAL : Mild steel sheet 1mm thickness.
 FINISH : Zinc plating & Chrome passivation.

Sl. No.	Type No.	Base size.	A	C	L	Drg. No.
		mm				
1.	PG 120 122 090	120x122x065	11	93	108	EEN00201
2.	PG 120 220 090	120x220x065	11	191	206	EEN00202
3.	PG 160 160 090	160x160x070	11	130	145	EEN00203
4.	PG 160 260 090	160x260x070	11	230	245	EEN00204
5.	PG 160 360 090	160x360x070	11	330	345	EEN00205
6.	PG 160 560 090	160x560x070	11	530	545	EEN00206
7.	PG 250 255 120	250x255x095	11	224	239	EEN00207
8.	PG 250 255 160					
9.	PG 250 400 120	250x400x095	11	369	384	EEN00208
10.	PG 250 400 160					
11.	PG 250 600 120	250x600x095	11	569	584	EEN00209
12.	PG 360 360 090	360x360x070	11	330	345	EEN00205
13.	PG 405 400 120	405x400x095	11	369	384	EEN00208

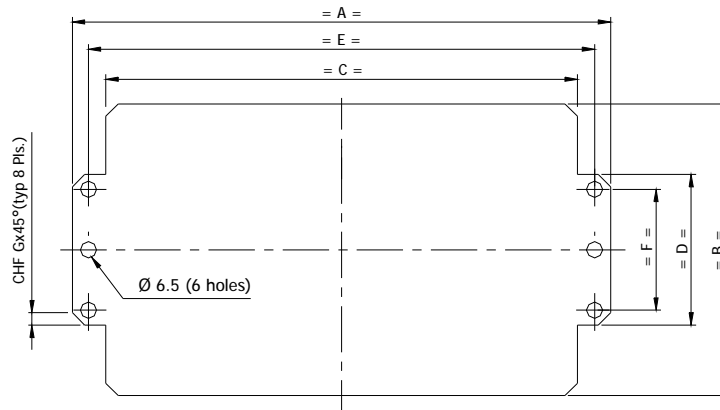


TYPE : DIN EN 50035 - TS 32 x 15
 MATERIAL : Mild steel sheet 1.5mm thickness.
 FINISH : Zinc plating & Chrome passivation.

Sl. No.	Type No.	Base size.	A	C	L	Drg. No.
		mm				
1.	PG 120 122 090	120x122x065	11	93	108	EEN00301
2.	PG 120 220 090	120x220x065	11	191	206	EEN00302
3.	PG 160 160 090	160x160x070	11	130	145	EEN00303
4.	PG 160 260 090	160x260x070	11	230	245	EEN00304
5.	PG 160 360 090	160x360x070	11	330	345	EEN00305
6.	PG 160 560 090	160x560x070	11	530	545	EEN00306
7.	PG 250 255 120	250x255x095	11	224	239	EEN00307
8.	PG 250 255 160					
9.	PG 250 400 120	250x400x095	11	369	384	EEN00308
10.	PG 250 400 160					
11.	PG 250 600 120	250x600x095	11	569	584	EEN00309
12.	PG 360 360 090	360x360x070	11	330	345	EEN00305
13.	PG 405 400 120	405x400x095	11	369	384	EEN00308

Mounting plate Dimensions - Standard International Range

DURO-BOX Ex-Enclosures

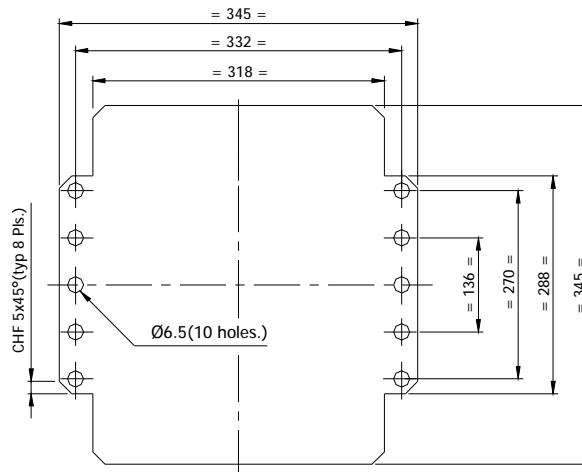


Sl. No.	Type of Enclosure	Dimensions in mm								Matl.	Drg. No.
		A	B	C	D	E	F	G	T		
1.	PG 120 122 090	111	109	88	64	95	52	4	1.5	M.S	EEN00800
2.	PG 120 220 090	209	109	186	64	193	52	4	1.5	M.S	EEN01400
3.	PG 160 160 090	145	145	118	88	132	76	5	1.5	M.S	EEN00900
4.	PG 160 260 090	245	145	218	88	232	76	5	1.5	M.S	EEN01500
5.	PG 160 360 090	345	145	318	88	332	76	5	2.0	M.S	EEN01600
6.	PG 250 255 120	240	234	213	177	227	100	5	1.5	M.S	EEN01800
7.	PG 250 255 160										
8.	PG 250 400 120	384	234	357	177	372	100	5	2.0	M.S	EEN01900
9.	PG 250 400 160										
10.	PG 405 400 120	384	389	357	332	372	250	5	2.0	M.S	EEN02200

T = Thickness

MATERIAL : (M.S) - Mild Steel sheet

FINISH : Zinc plating and Chrome passivation.

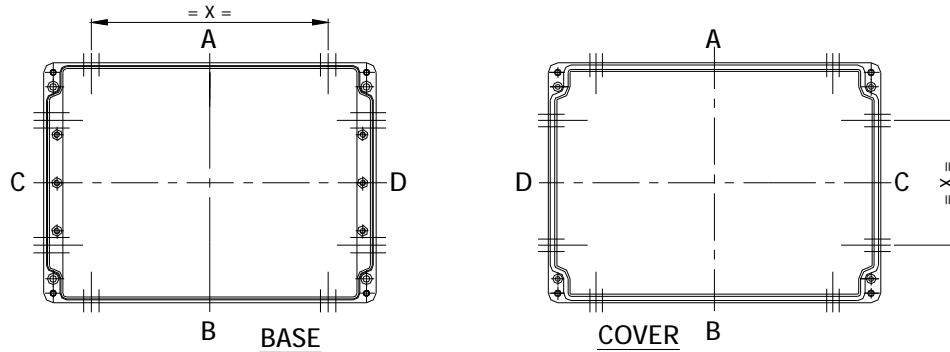


MOUNTING PLATE FOR ENCLOSURE PG 360 360 090

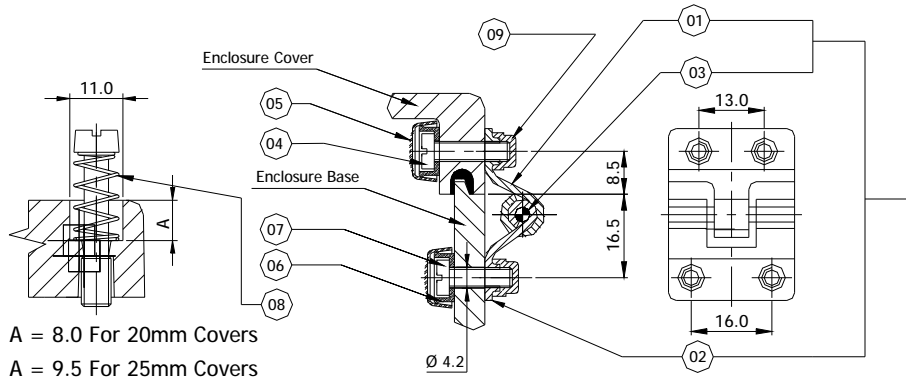
MATERIAL : Mild Steel Sheet 2.0 mm thick.

FINISH : Zinc plating and Chrome passivation.

Drg. No. : EEN02100



Sl. No.	Type of Enclosure	Size (mm)	Fixing centres (X) for hinges (mm)	
			Side A/B	Side C/D
1.	PG 120 122 090	120X122X90	50	30
2.	PG 120 220 090	120X220X90	145	30
3.	PG 160 160 090	160X160X90	70	40
4.	PG 160 260 090	160X260X90	170	40
5.	PG 160 360 090	160X360X90	260	40
6.	PG 160 560 090	160X560X90	460	40
7.	PG 250 255 120	250X255X120	160	130
8.	PG 250 255 160	250X255X160	160	130
9.	PG 250 400 120	250X400X120	300	130
10.	PG 250 400 160	250X400X160	300	130
11.	PG 250 600 120	250X600X120	500	130
12.	PG 360 360 090	360X360X90	240	240
13.	PG 405 400 120	405X400X120	300	280

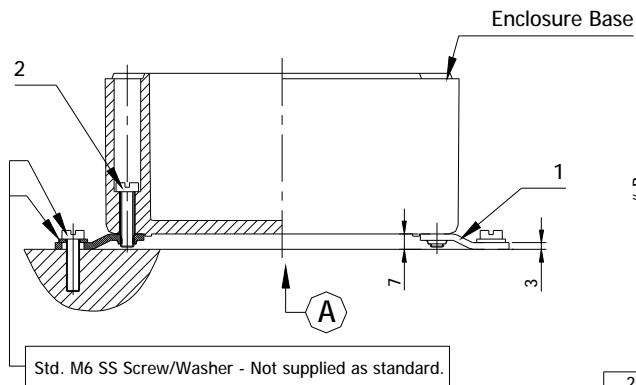


A = 8.0 For 20mm Covers
 A = 9.5 For 25mm Covers

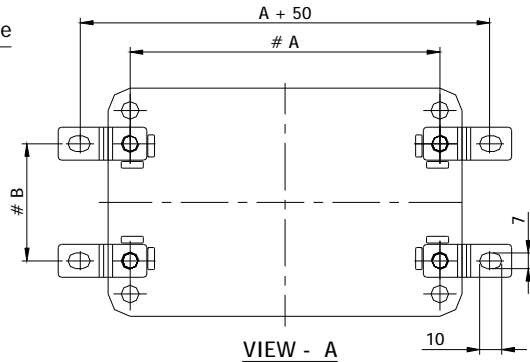
11	EEY00100	Hinge fixing instruction note	1	--
10	EEN03600	Sticker templete for drilling	2	Polyethylene
09	EEN05600	Hinge screw outside cap	8	Polypropylene
08	EEN03100	Spring	4	SS-304
07	EXS00205	Std. M4x10 Ch. Hd. Screw	4	SS-304
06	EEN03300	Cup Washer	8	Polypropylene
05	EEN03200	Insulation Cap	8	Polypropylene
04	EXS00206	Std. M4x12 Ch. Hd. Screw	4	Std. SS-304
03	EES00101	Spiral Dowel	2	Std. SS-304
02	EEN04700	Bottom Hinge	2	SS-304
01	EEN04600	Top Hinge	2	SS-304
Sl.No.	Drg. No	DESCRIPTION	QTY	MATERIAL

Hinge Assembly
 Drg. No. : EEA00201

HINGE ASSEMBLY KIT - SS-304
 Drg. No. : EEA03500

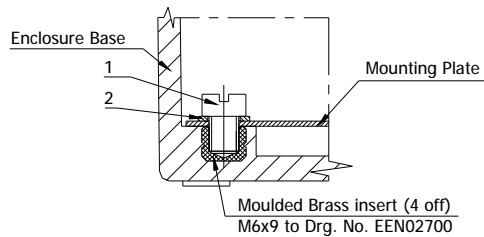


- For A and B dimensions refer mounting hole centres in respective Base drgs.



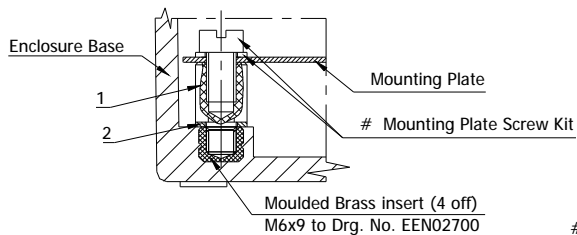
2	Std M6x25 Ch. Hd. Screw	EXS00203	4	SS-304
1	Mounting Bracket	EEN04000	4	SS-304
Sl.No.	DESCRIPTION	Drg. No.	QTY	MATERIAL

MOUNTING BRACKET KIT - SS-304 DRG. NO. :- EEA03200



2	Std M6 Washer Ø12.5x1.6	EXS00302	4	SS-304
1	Std M6x10 Ch. Hd. Screw	EXS00202	4	SS-304
Sl.No.	DESCRIPTION	Drg. No.	QTY	MATERIAL

MOUNTING PLATE SCREW KIT DRG. NO. :- EEA03300



2	Std M6 Washer Ø12.5x1.6	EXS00302	4	SS-304
1	Mounting Plate Spacer	EEN03500	4	Brass Nickel
Sl.No.	DESCRIPTION	Drg. No.	QTY	MATERIAL

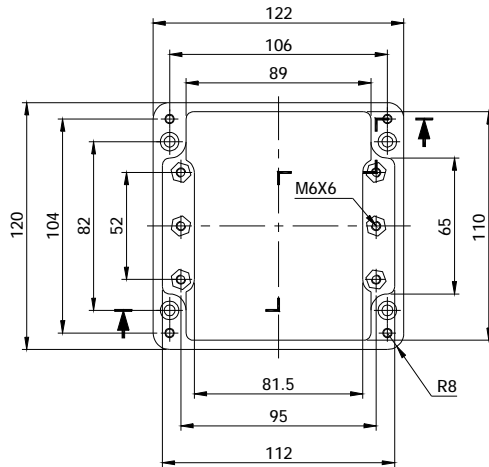
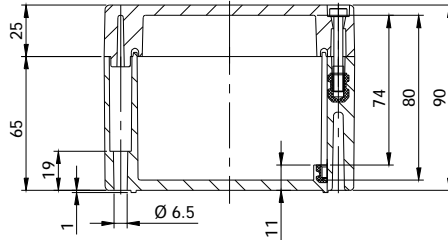
MOUNTING PLATE SPACER KIT DRG. NO. :- EEA03400

Mounting Plate Screw Kit should be ordered along with Mounting Plate Spacer Kit

Dimensions and Types

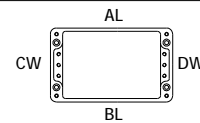
DURO-BOX Ex-Enclosures

Enclosure Type : PGE 120 122 090	Size : 120 X 122 X 90	Weight : 745 g.
----------------------------------	-----------------------	-----------------



EEx 'e' II Certified Cable Glands

Max. No. of cable glands



PG	AL / BL	CW / DW
7	--	--
9	8	6
11	5	3
13.5	4	3
16	3	2
21	2	1
29	2	1
36	1	1
42	--	--
48	--	--

Assembly with EEx 'e' II Certified Terminals

Length of DIN Rail 110mm

Maximum Rail capacity 94mm

Terminal Blocks	WEIDMULLER										
	SAK 2.5	SAK 4	SAK 6 N	SAK 16	SAK 35	WDU 2.5	WDU 4	WDU 6	WDU 10	WDU 16	WDU 35
Technical Information											
Single Wire cross section (mm ²)	2.5	4	6	16	35	2.5	4	6	10	16	35
Fine Wire cross section (mm ²)	2.5	4	6	16	35	2.5	4	6	10	16	35
Nominal Volts (V)	550	418	418	726	726	660	660	660	660	660	660
Load (Amps.)	15	21	26	47	75	26	35	46	63	85	138
Width of Terminals (mm)	6	6.5	8	12	16	5	6	8	10	12	16
Max. no of Terminals in Rail - TS 32	14	12	10	6	4	--	--	--	--	--	--
Max. no of Terminals in Rail - TS 35	--	--	--	--	--	16	14	10	8	6	4
Max. no of Terminal rails possible	1	1	1	1	1	1	1	1	1	1	1

STD. ASSEMBLY PARTS

DESCRIPTION	ORDER No.
S.S Cover Screw	EEN02800
Silicon Gasket	EEN04801

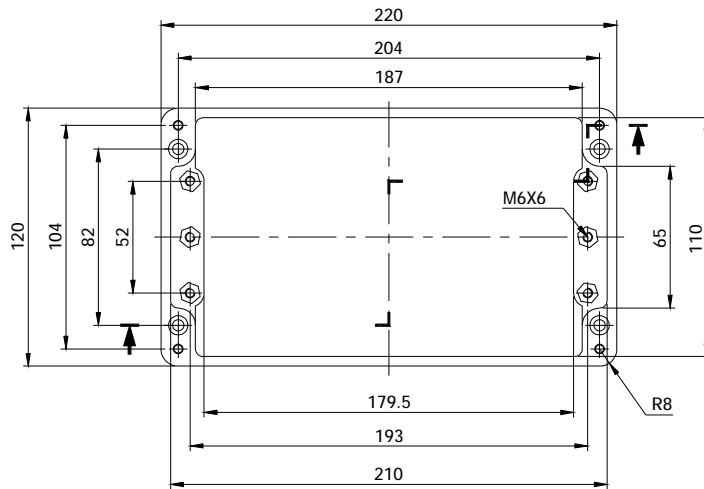
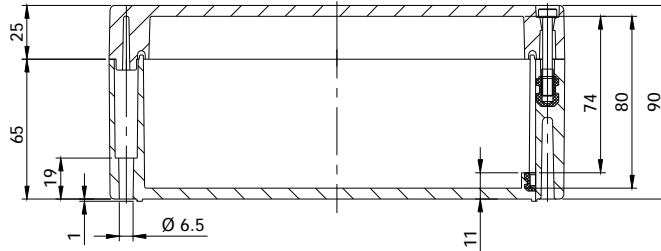
ACCESSORIES

TERMINAL RAIL	
TS 32	EEN00301
TS 35	EEN00201
MOUNTING PLATE - (M.P)	
M.P 1.5mm thick	EEN00800
M.P Screw Kit	EEA03300
M.P Spacer Kit	EEA03400
MOUNTING BRACKET KIT	
Stainless steel	EAA03200
HINGE ASSEMBLY KIT	
Stainless Steel	EAA03500

Dimensions and Types

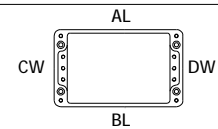
DURO-BOX Ex-Enclosures

Enclosure Type : PGE 120 220 090	Size : 120 X 220 X 90	Weight : 1060 g.
----------------------------------	-----------------------	------------------



EEx 'e' II Certified Cable Glands

Max. No. of cable glands



PG	AL / BL	CW / DW
7	--	--
9	17	6
11	14	3
13.5	11	3
16	8	2
21	5	1
29	4	1
36	3	1
42	--	--
48	--	--

Assembly with EEx 'e' II Certified Terminals

Length of DIN Rail 208mm

Maximum Rail capacity 192mm

Terminal Blocks	WEIDMULLER										
	SAK 2.5	SAK 4	SAK 6 N	SAK 16	SAK 35	WDU 2.5	WDU 4	WDU 6	WDU 10	WDU 16	WDU 35
Technical Information											
Single Wire cross section (mm ²)	2.5	4	6	16	35	2.5	4	6	10	16	35
Fine Wire cross section (mm ²)	2.5	4	6	16	35	2.5	4	6	10	16	35
Nominal Volts (V)	550	418	418	726	726	660	660	660	660	660	660
Load (Amps.)	15	21	26	47	75	26	35	46	63	85	138
Width of Terminals (mm)	6	6.5	8	12	16	5	6	8	10	12	16
Max. no of Terminals in Rail - TS 32	30	28	22	14	10	--	--	--	--	--	--
Max. no of Terminals in Rail - TS 35	--	--	--	--	--	36	30	22	18	14	10
Max. no of Terminal rails possible	1	1	1	1	1	1	1	1	1	1	1

STD. ASSEMBLY PARTS

DESCRIPTION	ORDER No.
S.S Cover Screw	EEN02800
Silicon Gasket	EEN04802

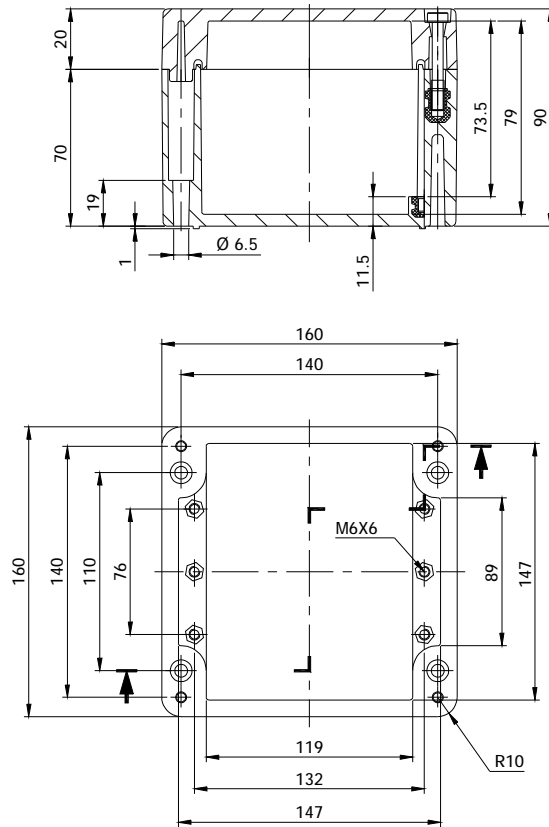
ACCESSORIES

TERMINAL RAIL	
TS 32	EEN00302
TS 35	EEN00202
MOUNTING PLATE - (M.P)	
M.P 1.5mm thick	EEN01400
M.P Screw Kit	EAA03300
M.P Spacer Kit	EAA03400
MOUNTING BRACKET KIT	
Stainless steel	EAA03200
HINGE ASSEMBLY KIT	
Stainless Steel	EAA03500

Dimensions and Types

DURO-BOX Ex-Enclosures

Enclosure Type : PGE 160 160 090	Size : 160 X 160 X 90	Weight : 1275 g.
----------------------------------	-----------------------	------------------



EEx 'e' II Certified Cable Glands

Max. No. of cable glands		
PG	AL / BL	CW / DW
7	--	--
9	11	8
11	9	6
13.5	8	6
16	6	4
21	5	2
29	2	1
36	2	1
42	--	--
48	--	--

Assembly with EEx 'e' II Certified Terminals

Length of DIN Rail 145mm		Maximum Rail capacity 128mm										
Terminal Blocks		WEIDMULLER										
Technical Information		SAK 2.5	SAK 4	SAK 6 N	SAK 16	SAK 35	WDU 2.5	WDU 4	WDU 6	WDU 10	WDU 16	WDU 35
Single Wire cross section (mm ²)		2.5	4	6	16	35	2.5	4	6	10	16	35
Fine Wire cross section (mm ²)		2.5	4	6	16	35	2.5	4	6	10	16	35
Nominal Volts (V)		550	418	418	726	726	660	660	660	660	660	660
Load (Amps.)		15	21	26	47	75	26	35	46	63	85	138
Width of Terminals (mm)		6	6.5	8	12	16	5	6	8	10	12	16
Max. no of Terminals in Rail - TS 32		18	18	14	8	6	--	--	--	--	--	--
Max. no of Terminals in Rail - TS 35		--	--	--	--	--	22	18	14	10	8	6
Max. no of Terminal rails possible		1	1	1	1	1	1	1	1	1	1	1

STD. ASSEMBLY PARTS

DESCRIPTION	ORDER No.
S.S Cover Screw	EEN02900
Silicon Gasket	EEN04901

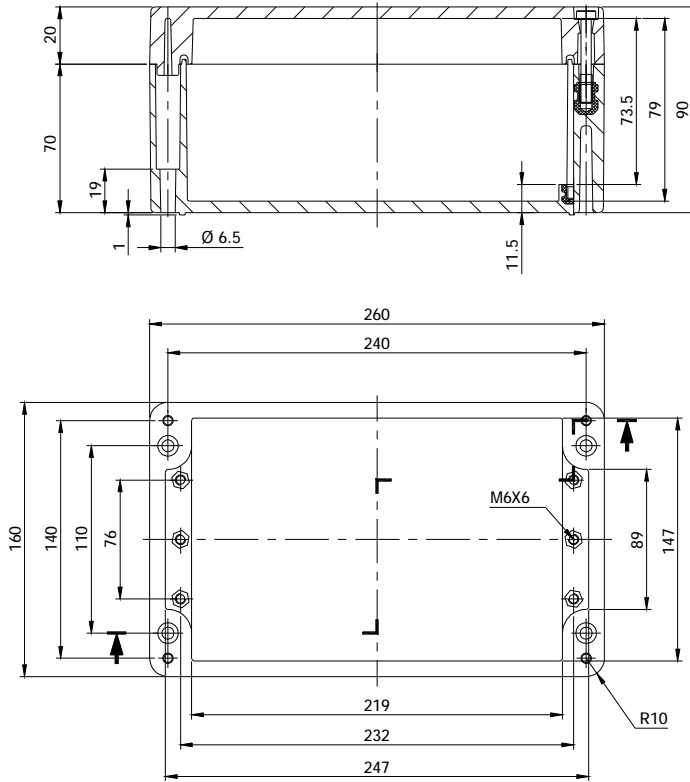
ACCESSORIES

TERMINAL RAIL	
TS 32	EEN00303
TS 35	EEN00203
MOUNTING PLATE - (M.P)	
M.P 1.5mm thick	EEN00900
M.P Screw Kit	EEA03300
M.P Spacer Kit	EEA03400
MOUNTING BRACKET KIT	
Stainless steel	EEA03200
HINGE ASSEMBLY KIT	
Stainless Steel	EEA03500

Dimensions and Types

DURO-BOX Ex-Enclosures

Enclosure Type : PGE 160 260 090	Size : 160 X 260 X 90	Weight : 1700 g.
----------------------------------	-----------------------	------------------



EEx 'e' II Certified Cable Glands

Max. No. of cable glands		
PG	AL / BL	CW / DW
7	--	--
9	26	8
11	16	6
13.5	15	6
16	12	4
21	6	3
29	4	2
36	3	1
42	3	1
48	--	--

Assembly with EEx 'e' II Certified Terminals											
Length of DIN Rail 245mm						Maximum Rail capacity 228mm					
Terminal Blocks	WEIDMULLER										
	SAK 2.5	SAK 4	SAK 6 N	SAK 16	SAK 35	WDU 2.5	WDU 4	WDU 6	WDU 10	WDU 16	WDU 35
Technical Information											
Single Wire cross section (mm ²)	2.5	4	6	16	35	2.5	4	6	10	16	35
Fine Wire cross section (mm ²)	2.5	4	6	16	35	2.5	4	6	10	16	35
Nominal Volts (V)	550	418	418	726	726	660	660	660	660	660	660
Load (Amps.)	15	21	26	47	75	26	35	46	63	85	138
Width of Terminals (mm)	6	6.5	8	12	16	5	6	8	10	12	16
Max. no of Terminals in Rail - TS 32	36	32	26	18	12	--	--	--	--	--	--
Max. no of Terminals in Rail - TS 35	--	--	--	--	--	42	36	26	20	18	12
Max. no of Terminal rails possible	1	1	1	1	1	1	1	1	1	1	1

STD. ASSEMBLY PARTS

DESCRIPTION	ORDER No.
S.S Cover Screw	EEN02900
Silicon Gasket	EEN04902

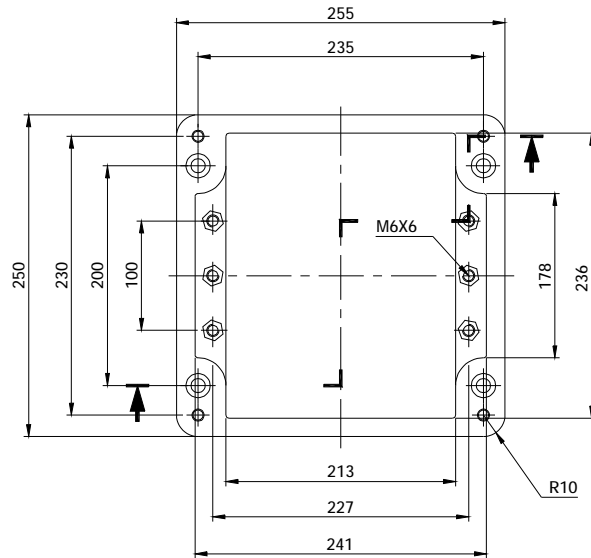
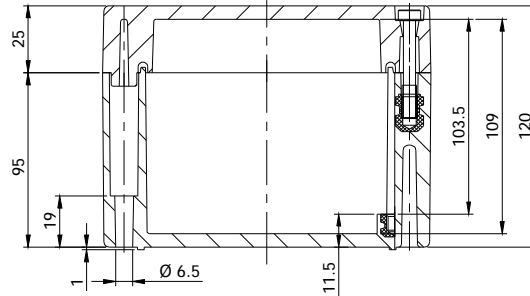
ACCESSORIES

TERMINAL RAIL	
TS 32	EEN00304
TS 35	EEN00204
MOUNTING PLATE - (M.P)	
M.P 1.5mm thick	EEN01500
M.P Screw Kit	EEA03300
M.P Spacer Kit	EAA03400
MOUNTING BRACKET KIT	
Stainless steel	EAA03200
HINGE ASSEMBLY KIT	
Stainless Steel	EAA03500

Dimensions and Types

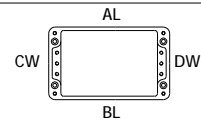
DURO-BOX Ex-Enclosures

Enclosure Type : PGE 250 255 120	Size : 250 X 255 X 120	Weight : 2600 g.
----------------------------------	------------------------	------------------



EEx 'e' II Certified Cable Glands

Max. No. of cable glands



PG	AL / BL	CW / DW
7	--	--
9	30	25
11	24	21
13.5	21	18
16	18	14
21	10	8
29	5	4
36	3	3
42	1	1
48	--	--

Assembly with EEx 'e' II Certified Terminals

Length of DIN Rail 238mm

Maximum Rail capacity 224mm

Terminal Blocks	WEIDMULLER										
	SAK 2.5	SAK 4	SAK 6 N	SAK 16	SAK 35	WDU 2.5	WDU 4	WDU 6	WDU 10	WDU 16	WDU 35
Technical Information											
Single Wire cross section (mm ²)	2.5	4	6	16	35	2.5	4	6	10	16	35
Fine Wire cross section (mm ²)	2.5	4	6	16	35	2.5	4	6	10	16	35
Nominal Volts (V)	550	418	418	726	726	660	660	660	660	660	660
Load (Amps.)	15	21	26	47	75	26	35	46	63	85	138
Width of Terminals (mm)	6	6.5	8	12	16	5	6	8	10	12	16
Max. no of Terminals in Rail - TS 32	34	32	26	16	12	--	--	--	--	--	--
Max. no of Terminals in Rail - TS 35	--	--	--	--	--	42	34	26	20	16	12
Max. no of Terminal rails possible	2	2	2	1	1	2	2	2	2	1	1

STD. ASSEMBLY PARTS

DESCRIPTION	ORDER No.
S.S Cover Screw	EEN02800
Silicon Gasket	EEN04903

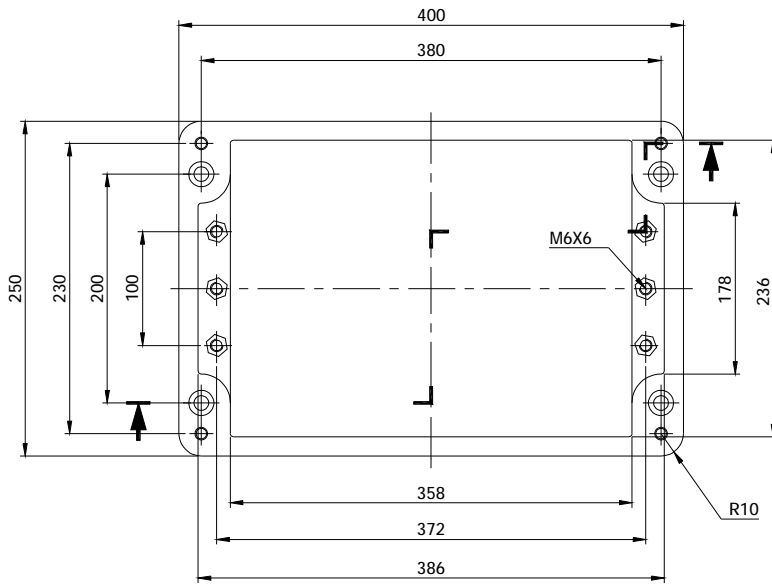
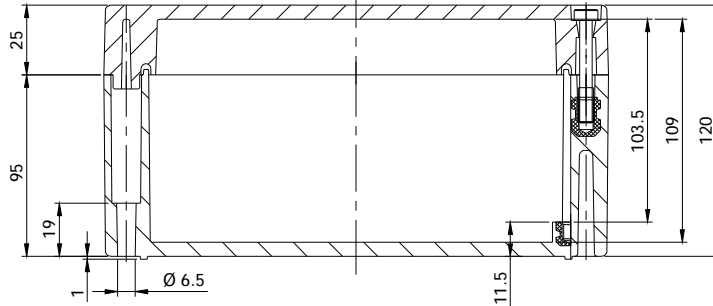
ACCESSORIES

TERMINAL RAIL	
TS 32	EEN00307
TS 35	EEN00207
MOUNTING PLATE - (M.P)	
M.P 1.5mm thick	EEN01800
M.P Screw Kit	EEA03300
M.P Spacer Kit	EEA03400
MOUNTING BRACKET KIT	
Stainless steel	EEA03200
HINGE ASSEMBLY KIT	
Stainless steel	EEA03500

Dimensions and Types

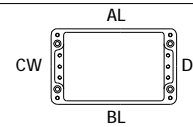
DURO-BOX Ex-Enclosures

Enclosure Type : PGE 250 400 120	Size : 250 X 400 X 120	Weight : 3600 g.
----------------------------------	------------------------	------------------



EEx 'e' II Certified Cable Glands

Max. No. of cable glands



PG	AL / BL	CW / DW
7	--	--
9	50	25
11	38	21
13.5	36	18
16	30	14
21	17	8
29	8	4
36	6	3
42	3	1
48	2	1

Assembly with EEx 'e' II Certified Terminals

Length of DIN Rail 384mm

Maximum Rail capacity 368mm

Terminal Blocks	WEIDMULLER										
	SAK 2.5	SAK 4	SAK 6 N	SAK 16	SAK 35	WDU 2.5	WDU 4	WDU 6	WDU 10	WDU 16	WDU 35
Single Wire cross section (mm ²)	2.5	4	6	16	35	2.5	4	6	10	16	35
Fine Wire cross section (mm ²)	2.5	4	6	16	35	2.5	4	6	10	16	35
Nominal Volts (V)	550	418	418	726	726	660	660	660	660	660	660
Load (Amps.)	15	21	26	47	75	26	35	46	63	85	138
Width of Terminals (mm)	6	6.5	8	12	16	5	6	8	10	12	16
Max. no of Terminals in Rail - TS 32	58	54	44	28	22	--	--	--	--	--	--
Max. no of Terminals in Rail - TS 35	--	--	--	--	--	70	58	44	34	28	22
Max. no of Terminal rails possible	2	2	2	1	1	2	2	2	2	1	1

STD. ASSEMBLY PARTS

DESCRIPTION	ORDER No.
S.S Cover Screw	EEN02800
Silicon Gasket	EEN04904

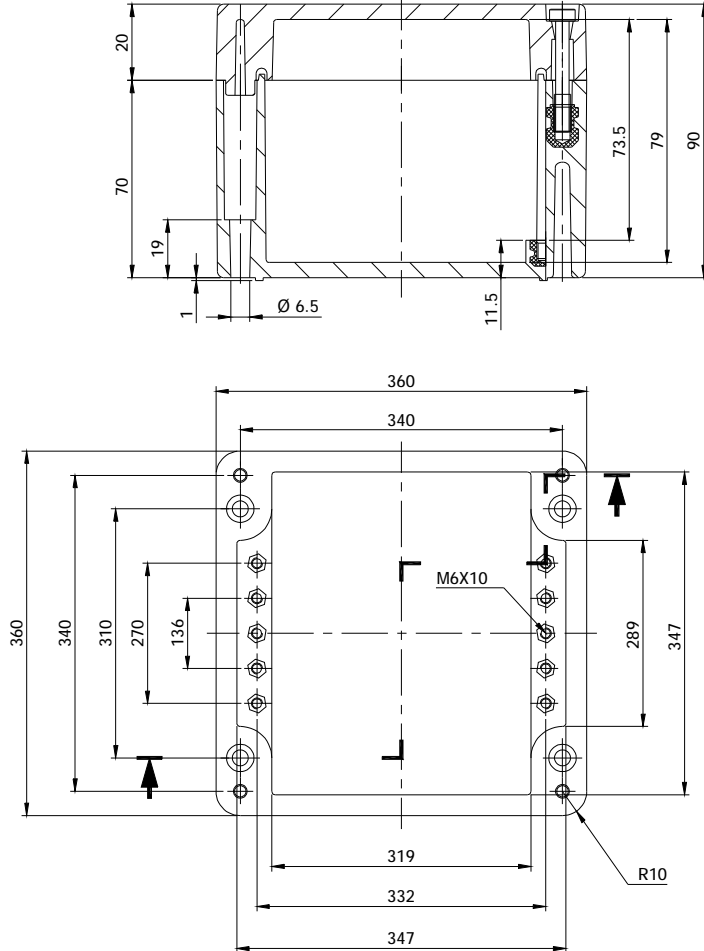
ACCESSORIES

TERMINAL RAIL	
TS 32	EEN00308
TS 35	EEN00208
MOUNTING PLATE - (M.P)	
M.P 1.5mm thick	EEN01900
M.P Screw Kit	EEA03300
M.P Spacer Kit	EEA03400
MOUNTING BRACKET KIT	
Stainless steel	EEA03200
HINGE ASSEMBLY KIT	
Stainless Steel	EEA03500

Dimensions and Types

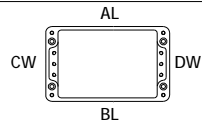
DURO-BOX Ex-Enclosures

Enclosure Type : PGE 360 360 090	Size : 360 X 360 X 90	Weight : 3600 g.
----------------------------------	-----------------------	------------------



EEx 'e' II Certified Cable Glands

Max. No. of cable glands



PG	AL / BL	CW / DW
7	--	--
9	40	28
11	28	24
13.5	26	20
16	20	18
21	10	8
29	6	6
36	5	4
42	4	3
48	2	2

Assembly with EEx 'e' II Certified Terminals

Length of DIN Rail 345mm

Maximum Rail capacity 328mm

Terminal Blocks	WEIDMULLER										
	SAK 2.5	SAK 4	SAK 6 N	SAK 16	SAK 35	WDU 2.5	WDU 4	WDU 6	WDU 10	WDU 16	WDU 35
Technical Information											
Single Wire cross section (mm ²)	2.5	4	6	16	35	2.5	4	6	10	16	35
Fine Wire cross section (mm ²)	2.5	4	6	16	35	2.5	4	6	10	16	35
Nominal Volts (V)	550	418	418	726	726	660	660	660	660	660	660
Load (Amps.)	15	21	26	47	75	26	35	46	63	85	138
Width of Terminals (mm)	6	6.5	8	12	16	5	6	8	10	12	16
Max. no of Terminals in Rail - TS 32	52	48	38	26	18	--	--	--	--	--	--
Max. no of Terminals in Rail - TS 35	--	--	--	--	--	62	52	38	30	26	18
Max. no of Terminal rails possible	2	2	2	1	1	2	2	2	2	1	1

STD. ASSEMBLY PARTS

DESCRIPTION	ORDER No.
S.S Cover Screw	EEN02900
Silicon Gasket	EEN04905

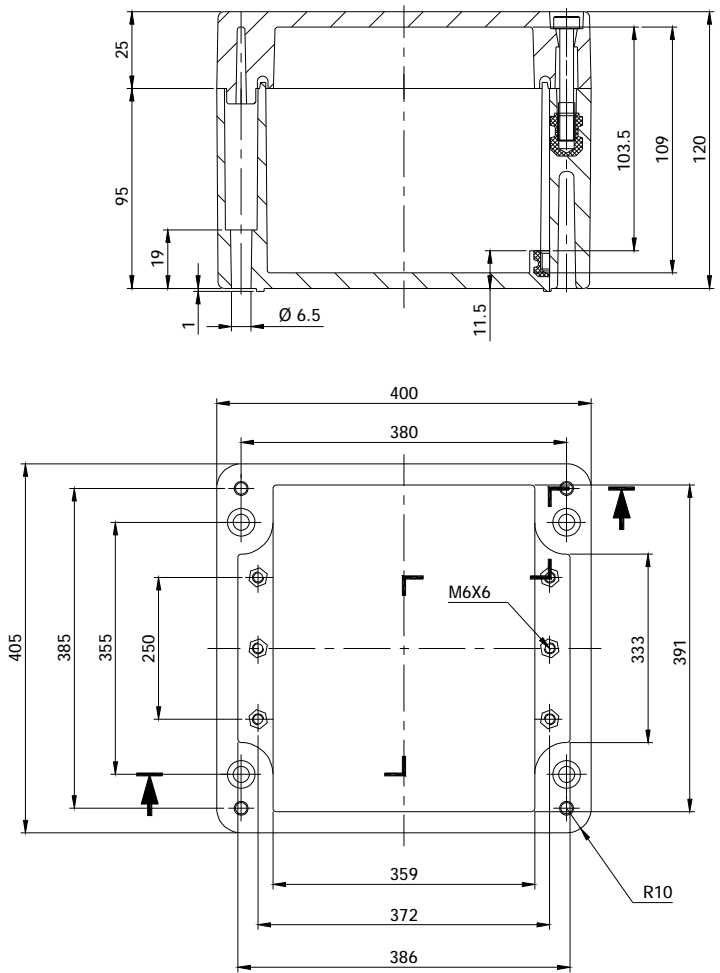
ACCESSORIES

TERMINAL RAIL	
TS 32	EEN00305
TS 35	EEN00205
MOUNTING PLATE - (M.P)	
M.P 1.5mm thick	EEN02100
M.P Screw Kit	EAA03300
M.P Spacer Kit	EAA03400
MOUNTING BRACKET KIT	
Stainless steel	EAA03200
HINGE ASSEMBLY KIT	
Stainless Steel	EAA03500

Dimensions and Types

DURO-BOX Ex-Enclosures

Enclosure Type : PGE 405 400 120	Size : 405 X 400 X 120	Weight : 5550 g.
----------------------------------	------------------------	------------------



EEx 'e' II Certified Cable Glands

Max. No. of cable glands		
AL		
CW		DW
BL		
PG	AL / BL	CW / DW
7	--	--
9	50	42
11	38	34
13.5	36	32
16	30	24
21	17	16
29	8	6
36	6	5
42	3	3
48	2	2

Assembly with EEx 'e' II Certified Terminals

Length of DIN Rail 384mm		Maximum Rail capacity 368mm									
Terminal Blocks	WEIDMULLER										
Technical Information	SAK 2.5	SAK 4	SAK 6 N	SAK 16	SAK 35	WDU 2.5	WDU 4	WDU 6	WDU 10	WDU 16	WDU 35
Single Wire cross section (mm ²)	2.5	4	6	16	35	2.5	4	6	10	16	35
Fine Wire cross section (mm ²)	2.5	4	6	16	35	2.5	4	6	10	16	35
Nominal Volts (V)	550	418	418	726	726	660	660	660	660	660	660
Load (Amps.)	15	21	26	47	75	26	35	46	63	85	138
Width of Terminals (mm)	6	6.5	8	12	16	5	6	8	10	12	16
Max. no of Terminals in Rail - TS 32	58	54	44	28	22	--	--	--	--	--	--
Max. no of Terminals in Rail - TS 35	--	--	--	--	--	70	58	44	34	28	22
Max. no of Terminal rails possible	3	3	3	2	1	3	3	3	3	2	1

STD. ASSEMBLY PARTS

DESCRIPTION	ORDER No.
S.S Cover Screw	EEN02800
Silicon Gasket	EEN04906

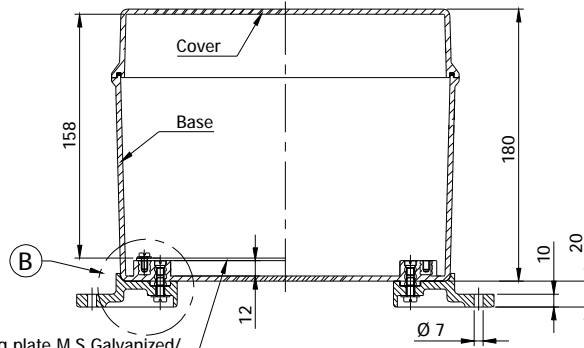
ACCESSORIES

TERMINAL RAIL	
TS 32	EEN00308
TS 35	EEN00208
MOUNTING PLATE - (M.P)	
M.P 1.5mm thick	EEN02200
M.P Screw Kit	EEA03300
M.P Spacer Kit	EEA03400
MOUNTING BRACKET KIT	
Stainless steel	EAA03200
HINGE ASSEMBLY KIT	
Stainless Steel	EAA03500

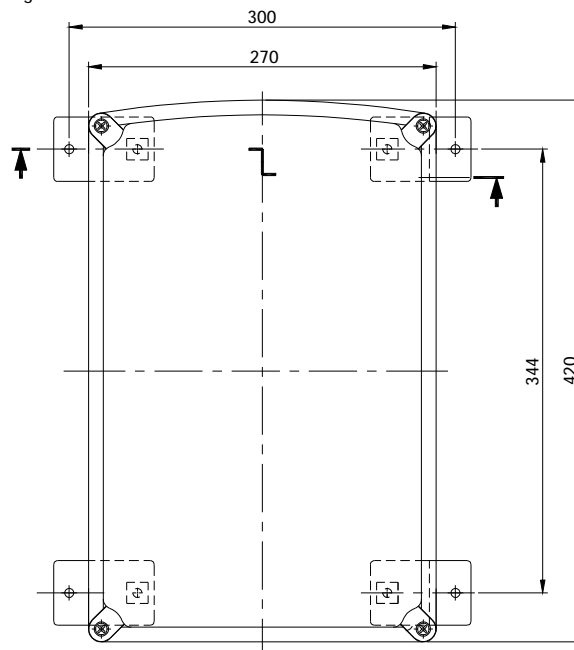
Dimensions and Types

Special Multipurpose DURO-BOX Ex-Enclosures

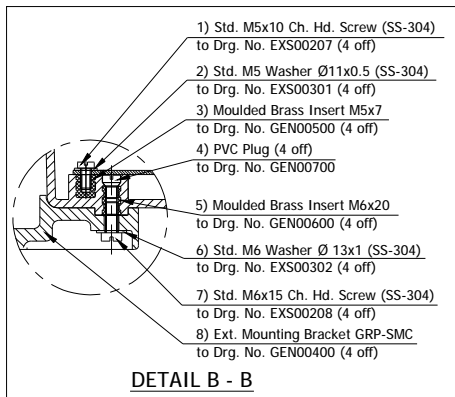
Enclosure Type : PGE 420 270 180	Size : 420 X 270 X 180	Weight : 2500 g.
----------------------------------	------------------------	------------------



Mounting plate M.S Galvanized/
PU painted to Drg. No. GEN00301



Maximum effective Inner area = 380 x 230 x 145

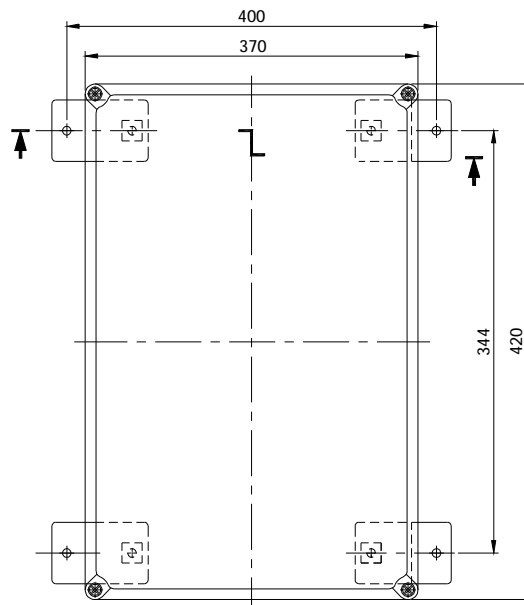
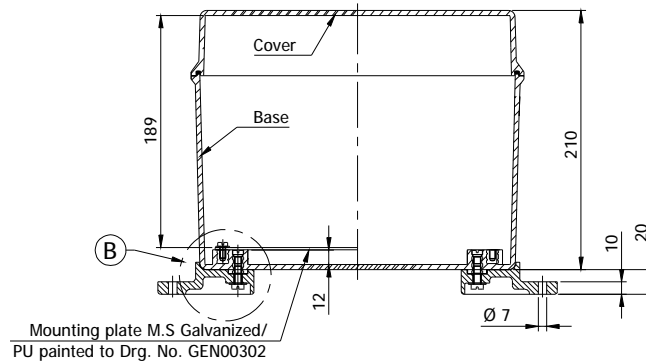


STD. ASSEMBLY PARTS	
DESCRIPTION	ORDER No.
S.S Cover Screw	EEN02900
Silicon Gasket	EEN05101
Ext. Mounting Bracket Assy. Kit	GEA00100
Mounting Plate Assy. Kit	GEA00200

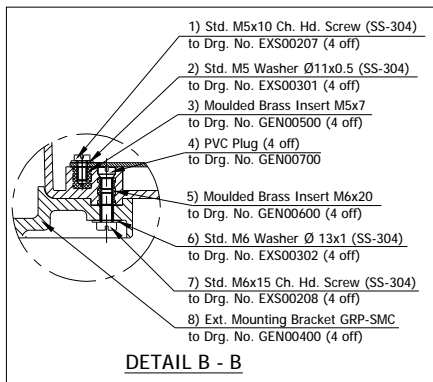
Dimensions and Types

Special Multipurpose DURO-BOX Ex-Enclosures

Enclosure Type : PGE 420 370 210	Size : 420 X 370 X 210	Weight : 4300 g.
----------------------------------	------------------------	------------------



Maximum effective Inner area = 380 x 330 x 175

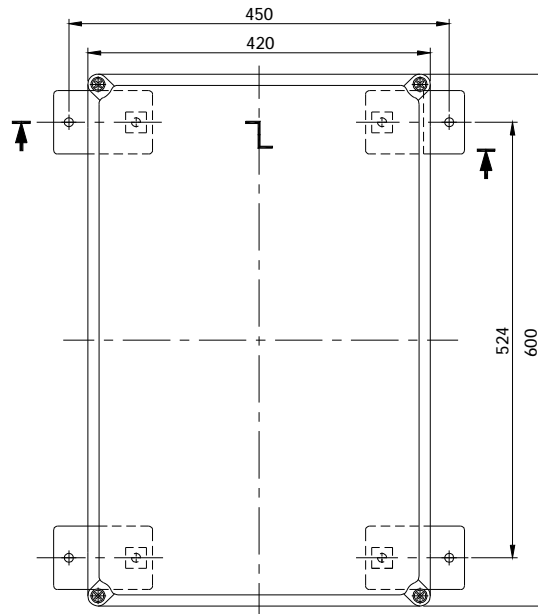
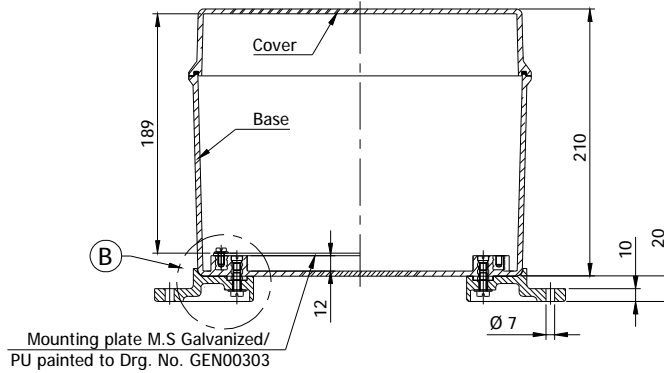


STD. ASSEMBLY PARTS	
DESCRIPTION	ORDER No.
S.S Cover Screw	EEN02900
Alt. Silicon Gasket	EEN04803
Ext. Mounting Bracket Assy. Kit	GEA00100
Mounting Plate Assy. Kit	GEA00200

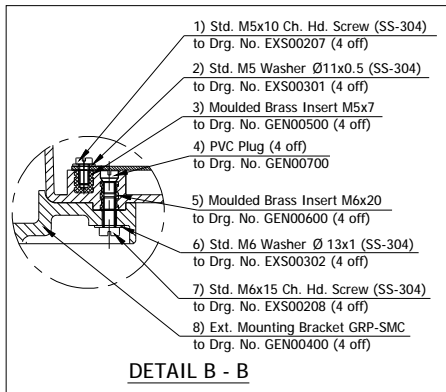
Dimensions and Types

Special Multipurpose DURO-BOX Ex-Enclosures

Enclosure Type : PGE 600 420 210	Size : 600 X 420 X 210	Weight : 6950 g.
----------------------------------	------------------------	------------------



Maximum effective Inner area = 560 x 380 x 175



STD. ASSEMBLY PARTS	
DESCRIPTION	ORDER No.
S.S Cover Screw	EEN02900
Silicon Gasket	EEN04804
Ext. Mounting Bracket Assy. Kit	GEA00100
Mounting Plate Assy. Kit	GEA00200

**Devi Polymers Pvt. Ltd.,
Marketing Division
NP - 23,24 Developed Plot,
Ekkaduthangal, Chennai - 600 097.
India.**

**Contact : Mr. A.P.Ramachandran
Phone : ++91 044 22321502 / 5359
Fax : ++91 044 22327249
Email : devi@xlweb.com
Web site : www.devipolymers.com**

This information while believed to be completely reliable is not to be taken as warranty for which we assume legal responsibility or as permission or recommendation to practice any patented invention without licence. It is offered for consideration, investigation and verification. The company holds the rights to change the designs without prior notice.

Last updated: 22/02/03