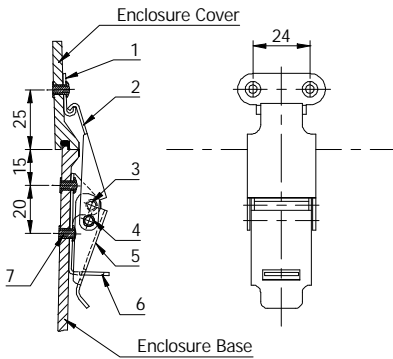


GEA00402	29	19	15
GEA00401	28	18.5	15
Assy. No.	A	B	C

07	EXS00201	GEA00401 and GEA00402	Std. M4x15 Ch. Hd. Screw	12	SS-304
06	EEN03300		Cup Washer	12	Polypropylene
05	EEN03200		Insulation Cap	12	Polypropylene
04	EXS00101		Std M4 x 3 Nut	12	SS-304
03	EES00102		Spiral Dowel	3	SS-304
02	GEN00201	GEA00402	Bottom Hinge	3	Polyamide
	GEN00200	GEA00401			
01	GEN00101	GEA00402	Top Hinge	3	Polyamide
	GEN00100	GEA00401			
S.No	Drg. No	Assy Drg. No	DESCRIPTION	QTY	MATERIAL

HINGE ASSEMBLY KIT - POLYAMIDE	
Drg No. : GEA00401	For Enclosure PG 420 270 180
Drg No. : GEA00402	For Enclosure PG 420 370 210 and PG 600 420 210

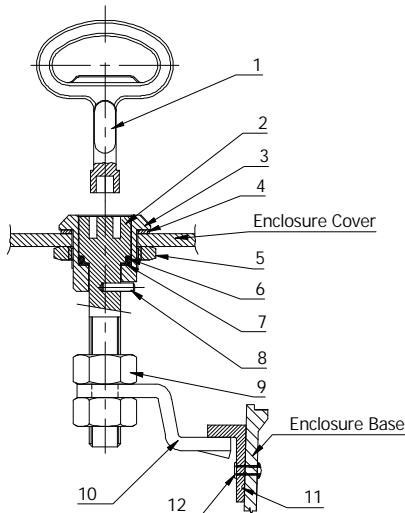
Note : 1) For Fixing centers refer respective drawings
2) Kit comprises of 3 sets of above details



7	Rivet Ø 4x9	GEN01001	8	SS-304
6	Draw Latch Base	GEN01200	2	SS-304
5	Lever	GEN01100	2	SS-304
4	Rivet - Ø 3x30	GEN01003	2	SS-304
3	Rivet - Ø 3x26	GEN01002	2	SS-304
2	Latch	GEN00900	2	SS-304
1	Keeper	GEN00800	2	SS-304
Sl.No	DESCRIPTION	Drg No.	QTY	MATERIAL

Note : 1) For Fixing centers refer respective drawings
2) Kit comprises of 2 sets of above details

DRAW LATCH ASSY. KIT	Drg No. : GEA00500
-----------------------------	---------------------------



12	Rivet Ø 3x12	GEN01004	4	SS-304
11	Lock Bracket	GEN02000	2	P.A / IS-1079 DD
10	Lever	GEN01900	2	IS-1079 DD
9	Std Nut - M10x9	EXS00104	4	M.S
8	Dowel Pin	GEN02100	2	Std.
7	Wavy Washer	GEN01800	2	SS-304
6	'O' Ring	GEN01700	2	Syn. Rubber
5	Lock Nut - M22x4	GEN00800	2	En-1A
4	Washer	GEN01600	2	EPDM
3	Lock Housing	GEN01500	2	Polyamide
2	Plunger	GEN01400	2	White Brass
1	Key	GEN01300	1	En-8T
Sl.No	DESCRIPTION	Drg No.	QTY	MATERIAL

Note : 1) For Fixing centers refer respective drawings
2) Kit comprises of 2 sets of above details

GRIP LOCK ASSY. KIT	Drg No. : GEA00600
----------------------------	---------------------------